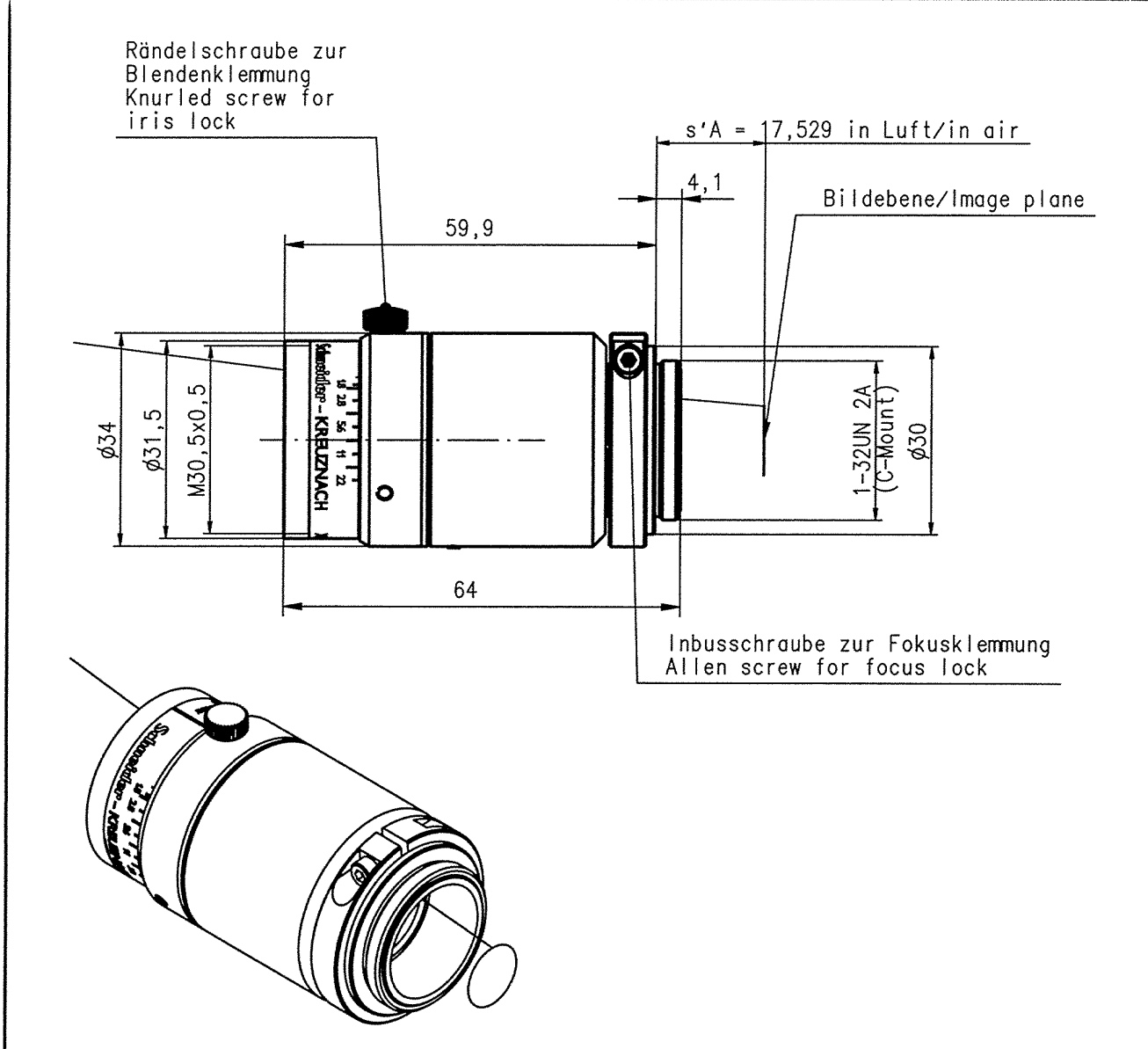


CONFIDENTIAL

VERTRAULICH

Schutzmerk ISO 16016 beachten.

The reproduction, distribution and utilization of this document as well as the communication of its contents to others without explicit authorization is prohibited. Offenders will be held liable for the payment of damages. All rights reserved in the event of the grant of a patent, utility model or design.



Optische Grunddaten (Optical Data)																	
Linsen/Glieder (Lenses/Elements)	6/2		s'_{AP}		-207,13		empf. Bildformat (Size of image, recommended)		6,6x8,8								
f'	35,17		β' Bereich (β' area)		-		Bildkreis (Image circle)		11								
$s'_{F'}$	25,21		β'_p ($\beta'=0$)		6,61		Blendenbereich (Iris range)		1,8-22								
$s'_{H'}$	-9,96		00' ($\beta'=0$)		∞		Filtergewinde (Filterthread)		M30,5x0,5								
HH'	-15,40		s_1 ($\beta'=0$)		∞		Gewicht (Weight)		150								
S_1S_k	49,04		s'_k ($\beta'=0$)		25,21		Schutzkappe vorn (Front Lens Cap)		30373								
s_{EP}	24,63						Schutzkappe hinten (Rear Lens Cap)		30422								
Blendenzahl (f stop)	1,8	2	2,8	4	5,6	8	11	16	22								
Blenden ϕ (Iris ϕ)	12,0	10,9	7,8	5,5	3,9	2,8	2,0	1,4	1,0								
Angaben ohne Einheiten in mm (All dimensions without unit in mm)						Nur zur Information (Only for information)											
Änderungsindex (Amendment index)			-			Datum (Date)			-			Kunde (Customer)			-		
Datum (Date)		Name		Objektiv (Lens)				Bestell-Nr. (Order-No.)									
dwg.		18.5.09		Linn		APO-XENOPLAN 1,8/35-0901				1057564							
V checked		23.5.09		Blatt		Jos. Schneider Optische Werke GmbH Ringstr. 132 55543 Bad Kreuznach Germany											
PP checked		04.06.09		see													
Schneider KREUZNACH		Design intend mil. ind. photo proj.		Maßstab (Scale)													
		<input type="checkbox"/> <input type="checkbox"/> <input checked="" type="checkbox"/> <input type="checkbox"/>		1:1													