

<b>SPEC. INFO</b>	<b>H20ZAME - 5FH WQ SPEC.</b>	61240-S501-00WQ-B14
		MAR.11. '04

1. Model **H20ZAME-5FH**
2. Application **For 1/2 Format CCTV Camera**

3. Specification

3-1. Physical (As per the attached drawing)

- (1) Dimensions **116(W) mm × 135(H) mm × 223.5 (D) mm**
- (2) Weight **2630 g**
- (3) Mount **C-Mount , Position Adjustable**
- (4) Filter Screw Size **95 mm , P=1 mm**
- (5) Screw for Tripod **1/4-20 UNC**

3-2. Optical

- (1) Focal Length **12 mm to 240 mm**
- (2) Max . Aperture Ratio **1 : 1.6 (f=12 mm to 54 mm) to 2.8 (f=240 mm)**
- (3) Iris Range **F/1.6 to F/720 (continuous)**
- (4) Illumination Ratio **1 : 202,500**
- (5) Angle of View

	WIDE	TELE
Diagonal	38.89 °	1.94 °
Horizontal	30.78 °	1.56 °
Vertical	22.95 °	1.17 °

- (6) Picture format **6.4 mm × 4.8 mm**
- (7) Focusing Range **Inf. to 2.8 m**
- (8) Back Focal Length **19.82 mm**
- (9) Flange Back Length **17.526 mm ± 0.05 mm**

3-3. Electrical

(1) Iris

Auto Iris

1. Supply Voltage & Current **DC 8 V to 15 V 50 mA or less**
2. Input Signal **V or VS**
3. Iris Accuracy **± 20 % at V signal level**
4. Sensitivity Adjustment **0.5 V(p-p) to 1.0 V(p-p) at V signal level continuously adjustable**
5. Input Impedance **High Impedance**
6. Response Speed **1.5 sec. (approx.)**
7. Metering **Average to Peak continuously adjustable (adjusted at Average when delivered)**
8. Close Down **Iris closes down when the power is cut off and protects Image Sensor from strong light.**
- 9.Connector **4-pin Connector (E4-191J made by Chuomusen)**

Manual

- 1.Control Voltage & Current **DC 12V 5mA or less**
- 2.Control Method **Polarity Switching Type**
- 3.Close Down **Iris closes down when the power is cut off and protects Image Sensor from strong light.**
- 4.Connector **16-pin Connector (CN-40-B made by Sato-parts)**

**(2) Zooming & Focusing**

**Control Voltage & Current**

**DC 12 V 45 mA or less/Motor ( at 25 )**

**Adjustable Voltage Range DC 6 V to 12 V**

**Control Method**

**Polarity Switching Type**

**Operational Speed**

**4.5 sec. (approx.) for Zooming**

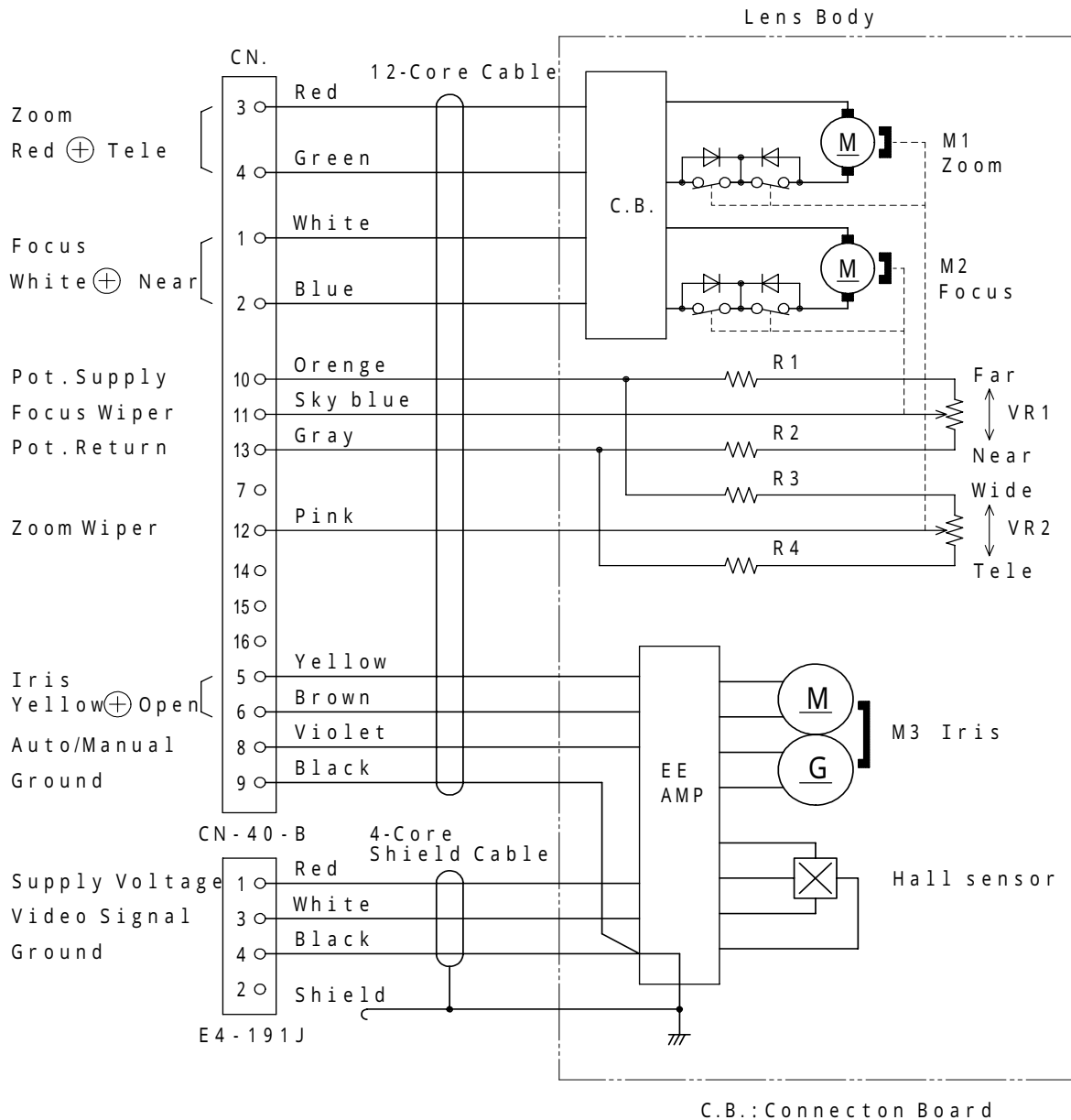
**10.0 sec. (approx.) for Focusing**

**Connector**

**16-pin Connector**

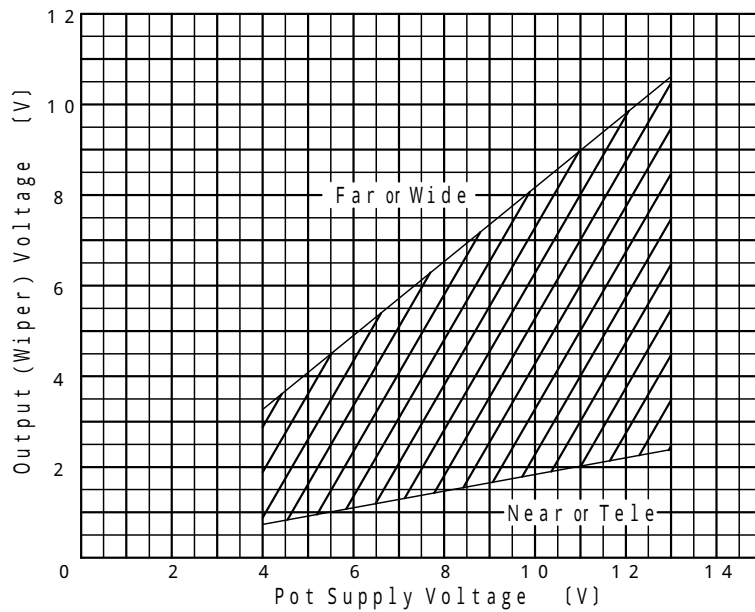
**(CN-40-B made by Sato-parts)**

**(3) Connection Diagram**



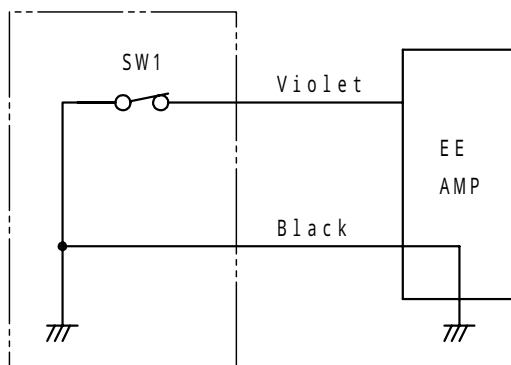
R 1 , R 2 , R 3 , R 4	1 k	± 1%	0 . 1 W
VR 1 , VR 2	5 k	± 15%	0 . 2 W

(4) Pot Supply Output Range Characteristics



(5) " Manual-Remote " Control

" Manual-Remote " Control can be done by the connection shown in the figure.



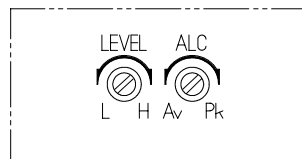
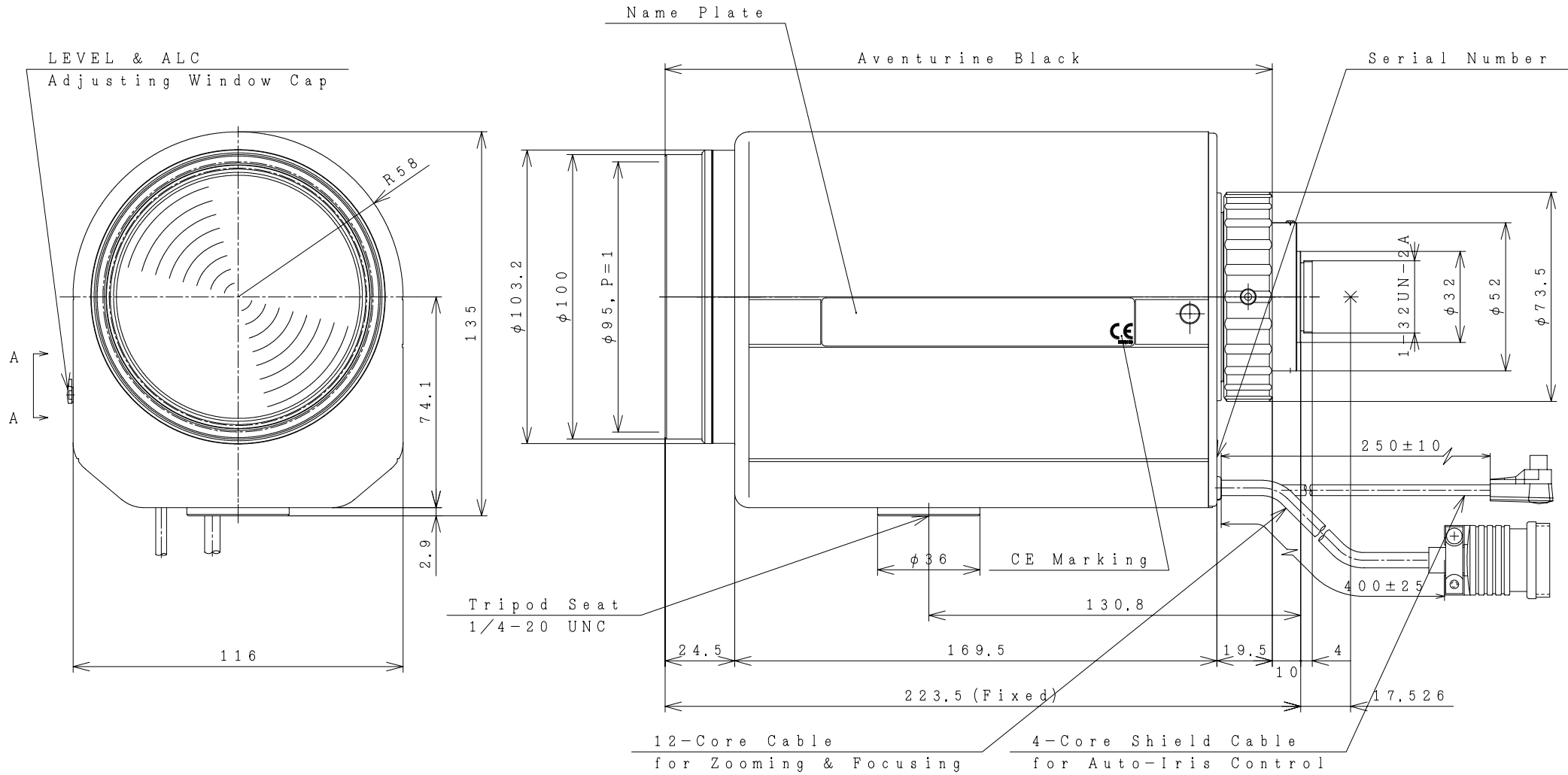
SW1	Function
Open	Auto
Closed	Manual-remote

\* Iris closes down when the power is cut off and returns when the power is on.

3-4. Environmental Temperature Range -10 to +50

4. Accessories

- (1) Front Lens Cap 1 piece
- (2) Rear Lens Cap 1 piece
- (3) Connector 16-pin Connector  
(CN-40-B made by Sato-parts) 1 piece
- (4) Packing Box 1 piece



A-A  
(When Cap is off)

SPEC. INFO	61240-S501-00WQ-B44
	MAR. 11. '04
<b>PENTAX Precision Co., Ltd.</b>	