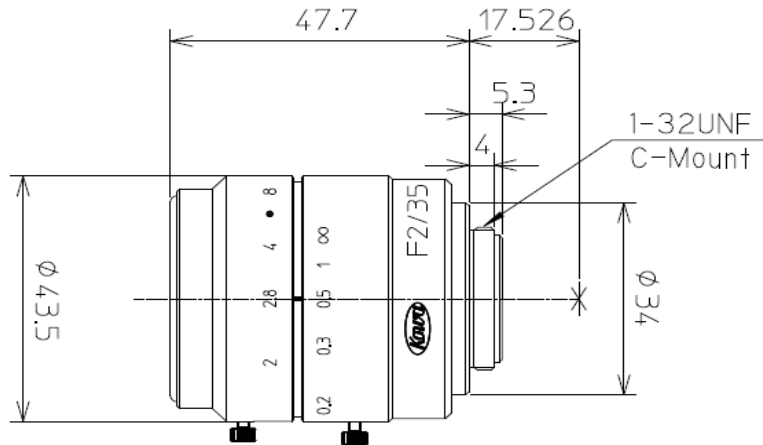




LM35JC5M



Model	LM35JC5M	
Focal Length (mm)	35	
Image Size (mm)	2/3" ($\phi 11$)	
Iris Range (F-Stop)	F2~16	
Iris Control	Manual	
Focus Control	Manual	
Focus Range (mm)	180~ ∞	
Back Focal Length (mm)	11.2	
Flange Focal Length (mm)	17.526	
Angle of View	Dia.	17.8
View In Degrees (2/3")	Hor.	14.3
	Ver.	10.8
Field of View at 100mm (2/3")	Dia.	52.7
	Hor.	42.1
	Ver.	31.6
Clear Aperture (mm) Front	$\phi 23$	
Clear Aperture (mm) Rear	$\phi 14.6$	
Resolution (Center,Corner)	160lp/mm, 160lp/mm	
Distortion (TV)	-0.03% (2/3") 0.00% (1/2") 0.00% (1/3")	
Exit Pupil Position (mm)	39.2	
Mount	C-Mount	
Filter Size (mm)	M30.5XP0.5	
Weight (g)	160	