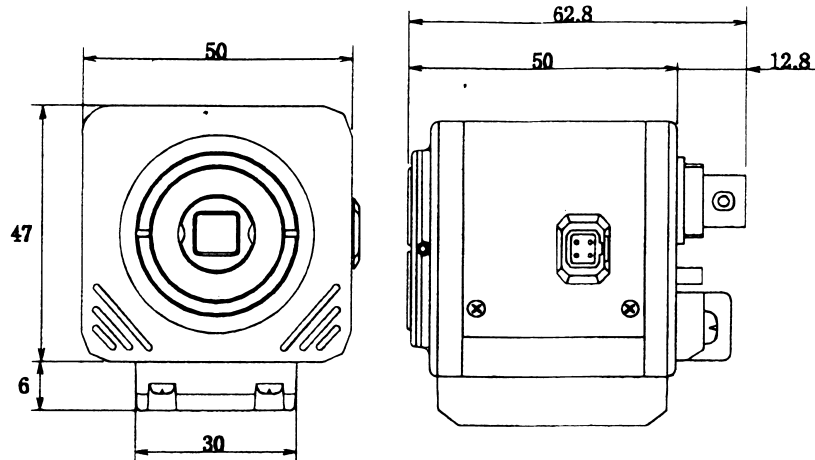




Kowa Optimed, Inc. 20001 S. Vermont Ave. Torrance, CA 90502
 Tel: (800) 966-5692 Fax: (310) 327-4177 E-Mail: cctvkowa@kowa.com

◆PX-70/75KST(SHORT CASE)



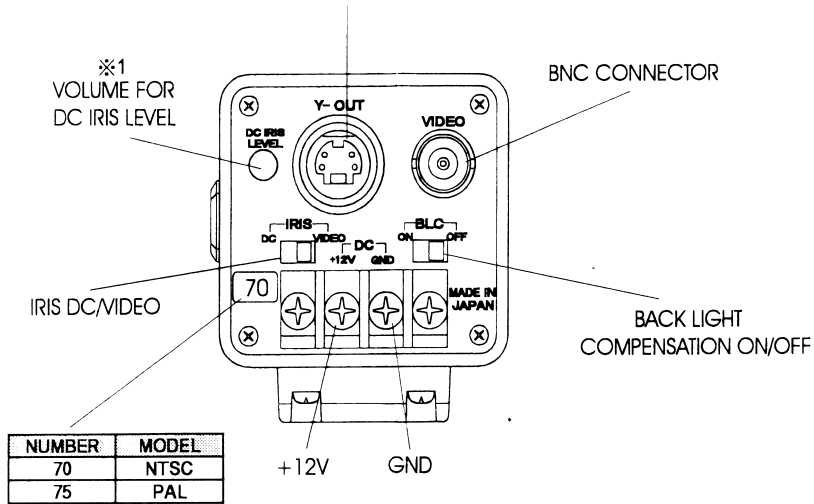
Model	PX-70KST
Pick-Up Device	1/3" IR CCD Image Sensor
Overall Elements	811 [H] X 508 [V]
Effective Elements	768 [H] X 494 [V]
Cell Size	6.35 μ m[H] X 7.40 μ m[V]
Lens Mount	CS Mount
Sync System	Internal Crystal Control
Scanning System	2:1 Interlace
Video Out	1 V _{p-p} 75 Ω
Horizontal Resolution	480 TV Lines
Minimum Scene Illumination	0.3 Lux at F1.2 [AGC: Hi-On]
S/N Ratio	50dB Up [AGC Off]
Shutter Speed	Selectable: 1/100, 1/250, 1/500, 1/1000, 1/2000, 1/4000, 1/10000
Gamma	$\gamma = 0.45$
AGC	Selectable: On/Off, Hi/Low
Camera Mode Control	RS-232C Control
Power Source	12VDC, 180mA Max
Storage Temperature	-30°C ~ +70°C
Operating Temperature	-10°C ~ +40°C
Dimension	50mm [W] X 47mm [H] X 50mm [L]
Weight	105g



Kowa Optimed, Inc. 20001 S. Vermont Ave. Torrance, CA 90502
 Tel: (800) 966-5692 Fax: (310) 327-4177 E-Mail: cctvkowa@kowa.com

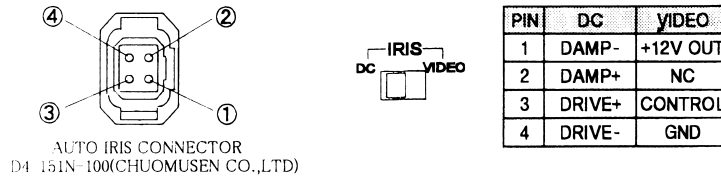
■ BACK PANEL

S-VIDEO CONNECTOR
 MJ-381/4(MARUSHINN ELECTRIC MFG,CO.,LTD)



※1 THIS DC IRIS VOLUME ADJUSTS THE BRIGHTNESS WHILE SETTING THE IRIS DC/VIDEO SWITCH TURNS TO "DC".

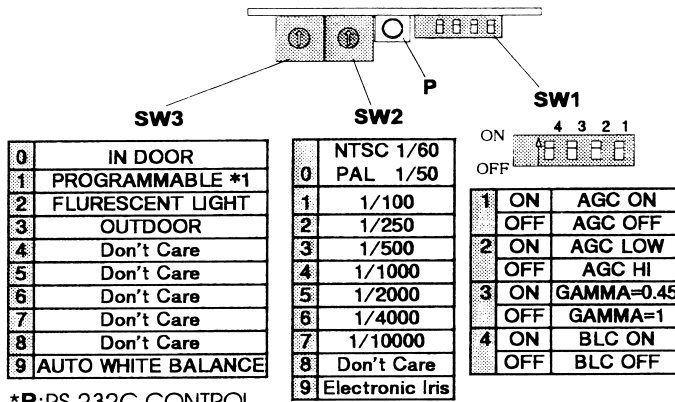
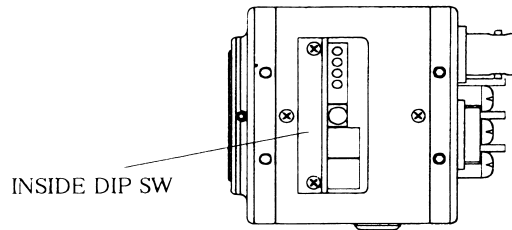
■ IRIS CONNECTOR





Kowa Optimed, Inc. 20001 S. Vermont Ave. Torrance, CA 90502
 Tel: (800) 966-5692 Fax: (310) 327-4177 E-Mail: cctvkowa@kowa.com

■ DIP SWITCH



■ INITIAL SETTINGS

SWITCH	MODE
SW1-1	AGC ON
SW1-2	AGC HI
SW1-3	$\gamma=0.45$
SW1-4	BACKLIGHT COMPENSATION
SW2	0
SW3	9