

TG3Z3510AFCS

VARI FOCAL 3X 3.5~10.5mm F1.0

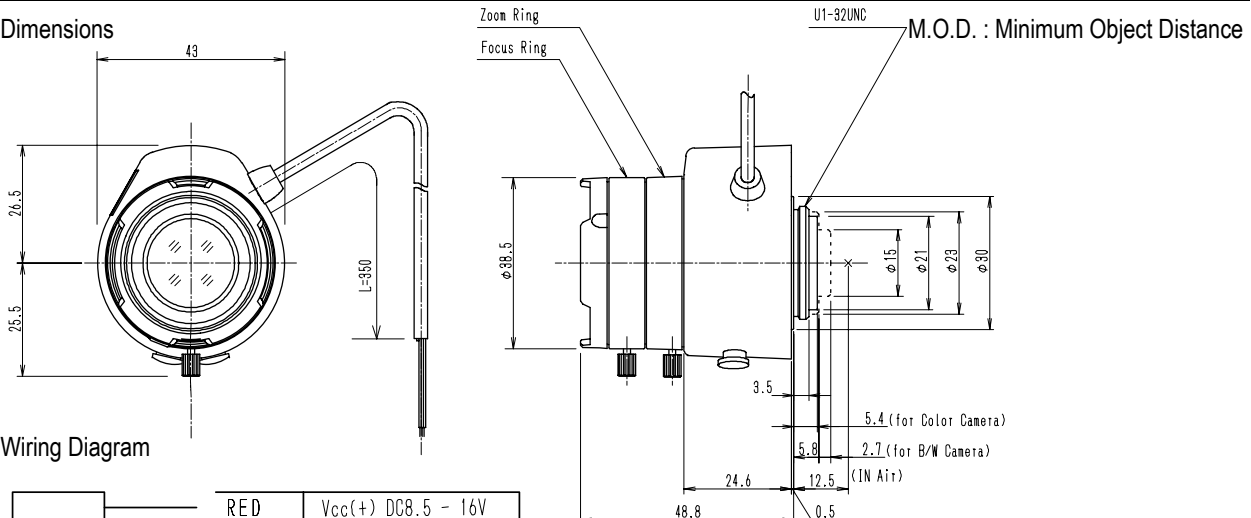
for 1/3"format cameras

CS-Mount

with Focus, with Amplifier

Model No.	TG3Z3510AFCS		Effective	Front	φ18.5mm	1/3
Focal Length	3.5 ~ 10.5mm		Lens Aperture	Rear	φ10.1mm	
Max. Aperture Ratio	1 : 1.0		Back Focal Length	Tele	16.7mm	
Max. Image Format	4.8 x 3.6mm (φ6mm)			Wide	8.3mm	
Operation Range	Iris	F1.0 ~ 360	Flange Back Length		12.5mm	
	Focus	0.3m ~ Inf.	Mount		CS-Mount	
	Zoom	3.5 ~ 10.5mm	Filter Size		M37.5 P=0.5mm	
Control	Iris	Auto Iris	Dimensions		φ38.5 x 47.5 x 48.8mm	CS
	Focus	Manual	Weight		g	
	Zoom	Manual				
Object Dimension at M.O.D.	3.5 mm	51.8 x 34.1cm				
	10.5 mm	14.5 x 10.8cm				
Angle of View	D	108.4~34.2°				
	H	81.6~27.2°				
	V	59.2~20.4°				
Supply Voltage	DC8.5 ~ 16V					AG
Current	Less than 40mA					
Response Time	Approx. 2 sec.					
Light Weighting Method	Adjustable between Average - Peak (to be set at Average at factory)					
Input Signal	Video Signal (V or VS)					
Iris Accuracy	± 15% at Video Signal Level					
Sensitivity Adjustment	0.5 ~ 1.0Vp-p (Video Signal)					
Input Impedance	High Impedance					
Operating Temperature	-20 ~ +50°C					

Dimensions



Wiring Diagram



www.cbccamera.com/cctv

1/3

CS

AG

Z

SP