

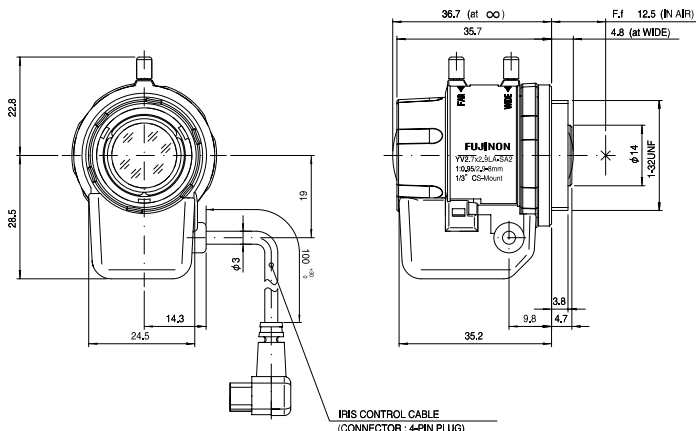
For Security

1/3" VARI-FOCAL

Vari-Focal
Auto Iris
DC Type

FUJINON CCTV LENS

YV2.7×2.9LA-SA2



Unit : mm

Model		YV2.7 × 2.9LA-SA2	
Focal Length		2.9mm ~ 8mm (2.7×)	
Iris Range		F0.95 ~ T360 (Equivalent to F360)	
Operation	Iris	Auto (DC Type) (*1)	
	Focus	Manual	
	Zoom	Manual	
ANGLE OF VIEW (H × V)	1/3"	Wide	93°34' × 68°46'
		Tele	34°53' × 26°09'
Focusing Range (From Front Of Lens)		∞ ~ 0.3m	
Object Dimensions at M.O.D. (H × V)	1/3"	Wide	650mm × 422mm
		Tele	194mm × 143mm
Back Focal Distance (in air)		7.7mm(W) ~ 14.61mm(T)	
Filter Thread		—	
Mount		CS Mount	
Mass		45g	
Exit Pupil Position(from Image Plane)		62mm (W) ~ 32mm (T)	

Wiring

