

# H3Z4512CS

VARI FOCAL 3X 4.5~12.5mm F1.2  
for 1/2" format cameras  
CS-Mount

<b>Model No.</b>		H3Z4512CS	<b>Effective</b>	<b>Front</b>	φ 19.0mm
<b>Focal Length</b>		4.5mm ~ 12.5 mm	<b>Lens Aperture</b>	<b>Rear</b>	φ 10.3mm
<b>Max. Aperture Ratio</b>		1 : 1.2		<b>Tele</b>	18.3mm
<b>Max. Image Format</b>		6.4mm x 4.8mm (φ 8mm)	<b>Back Focal Length</b>	<b>Wide</b>	9.9mm
<b>Operation Range</b>	<b>Iris</b>	F1.2 ~ F16C		<b>Flange Back Length</b>	
	<b>Focus</b>	0.3m ~ Inf.	<b>Mount</b>		CS-Mount
	<b>Zoom</b>	4.5mm ~ 12.5 mm	<b>Filter Size</b>		-
<b>Control</b>	<b>Iris</b>	Manual	<b>Dimensions</b>		φ 41.6 x 48.8mm
	<b>Focus</b>	Manual	<b>Weight</b>		63 g
	<b>Zoom</b>	Manual			
<b>Object Dimension at M.O.D.</b>	<b>4.5 mm</b>	51.8 × 34.9cm			
	<b>12.5 mm</b>	16.1 × 12.0cm			
<b>Angle of View</b>	<b>D</b>	1/2"	103.0~37.4°	1/3"	76.2~28.2°
	<b>H</b>		81.6~30.0°		60.4~22.6°
	<b>V</b>		60.4~22.6°		45.0~17.0°
<b>Operating Temperature</b>		-20°C ~ +50°C			

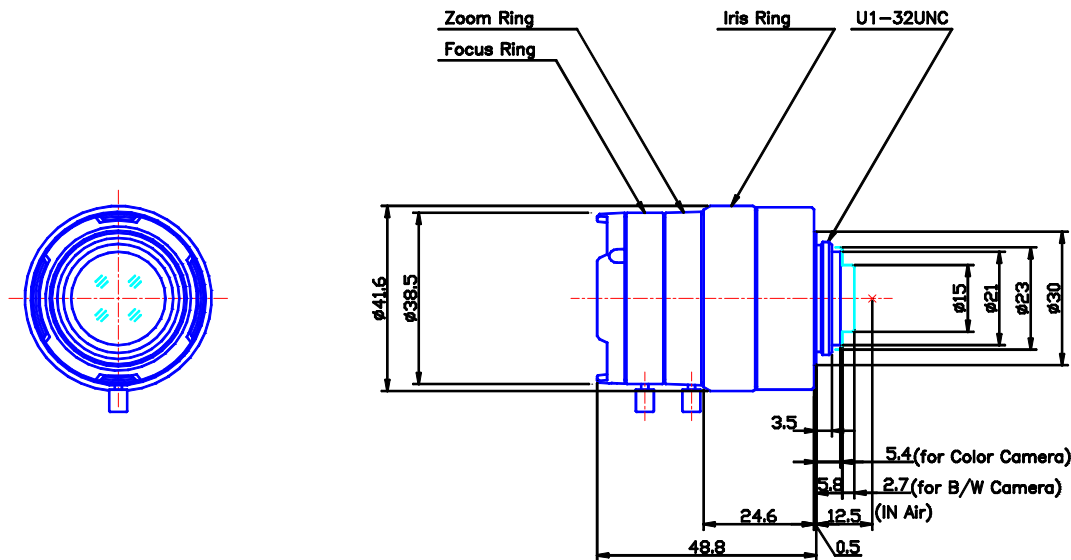
1/2

CS

F

M.O.D. : Minimum Object Distance

Dimensions



Z

SP