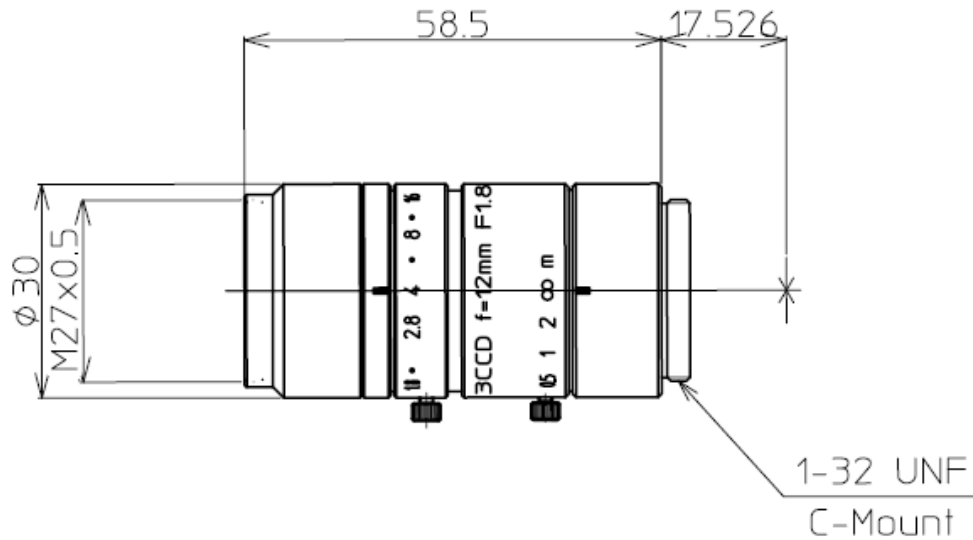


Model: LM12NC3



1/2" 1.8/12mm 3CCD		1/3"
FOCAL LENGTH	f=12.0mm	
MAX. DIAMETER (RATIO)	F=1:1.8~16	
PICTURE SIZE	6.4x4.8mm	4.8x3.6
ANGLE	VER. ANGLE	22.8°
	HOR. ANGLE	30.4°
	DIA. ANGLE	37.9°
DISTORTION (TV)	-0.9%	-0.5%
MINIMUM FOCUS DISTANCE	0.15m	
FLANGE BACK	17.526 mm in air	
BACK FOCUS	15.2mm in air	
FILTER SCREW SIZE	M27x0.5	
FRONT/REAR EFFECTIVE DIA.	$\phi 14.1$ mm	$\phi 19.4$ mm
MOUNT	C-MOUNT	
EXIT PUPIL	-495mm	
TEMPERATURE RANGE	-10~+45° C	
STORNG TEMPERATURE RANGE	-40~+60° C	
RESOLUTION	120 LP/mm, 100 LP/mm	