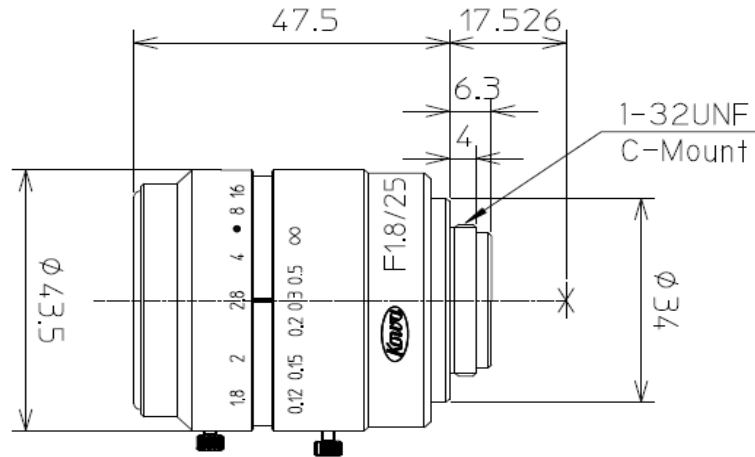




LM25JC5M



Model	LM25JC5M	
Focal Length (mm)	25	
Image Size (mm)	2/3" (Ø11)	
Iris Range (F-Stop)	F1.8~16	
Iris Control	Manual	
Focus Control	Manual	
Focus Range (mm)	100~∞	
Back Focal Length (mm)	11.2	
Flange Focal Length (mm)	17.526	
Angle of View	Dia.	24.8
View In Degrees (2/3")	Hor.	19.9
	Ver.	15
Field of View at 100mm (2/3")	Dia.	43.9
	Hor.	35.1
	Ver.	26.3
Clear Aperture (mm) Front	Ø20	
Clear Aperture (mm) Rear	Ø13.9	
Resolution (Center,Corner)	160lp/mm, 160lp/mm	
Distortion (TV)	-0.01% (2/3") -0.02% (1/2") 0.00% (1/3")	
Exit Pupil Position (mm)	46.6	
Mount	C-Mount	
Filter Size (mm)	M30.5XP0.5	
Weight (g)	150	