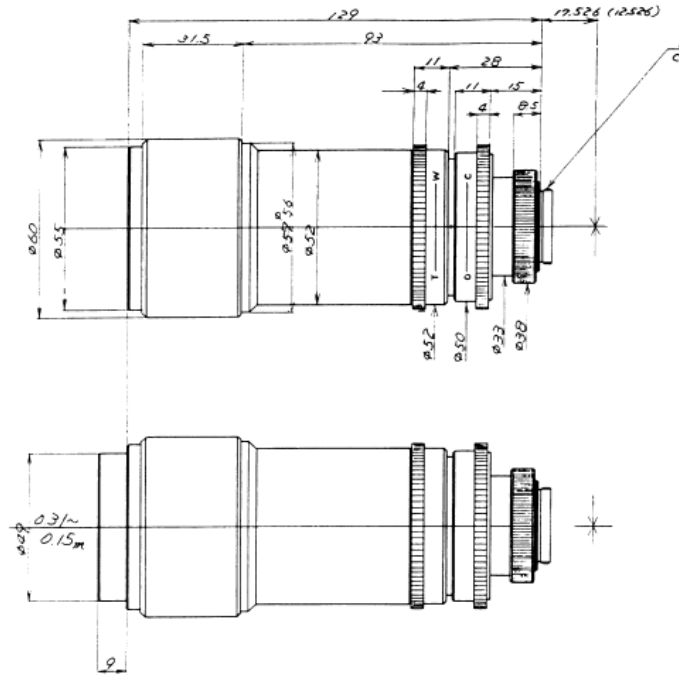




Kowa Optimed, Inc. 20001 S. Vermont Ave. Torrance, CA 90502
 Tel: (800) 966-5692 Fax: (310) 327-4177 E-Mail: cctvkowa@kowa.com

LMZ503M



Focal Length (mm)		8.5~90mm Macro Zoom
Format Size		1/3"
Zoom Ratio		10X
Relative Aperture (F)		2.5 ~ Close
Operation System	Iris	Manual
	Focus	Manual
	Zoom	Manual
Angular Field of View	Diagonal	4 ~ 39.1
	Horizontal	3.2 ~ 31.3
	Vertical	2.4 ~ 23.4
Minimum Object Distance (m)		0.15
Back Focal Length (mm)		24.31
Filter Size (mm)		NIL
Weight (grs.)		417
Mount		C-Mount
Note		For 3-CCD Camera