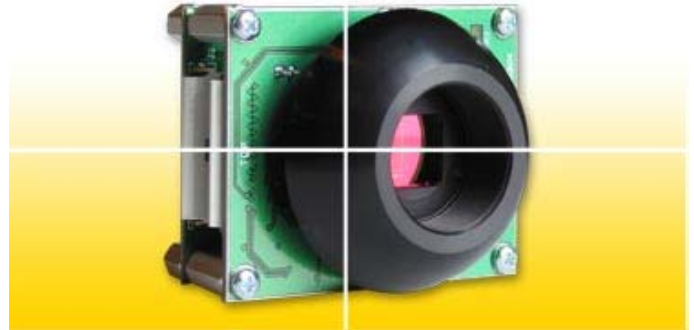


1.3 Megapixel USB 2.0 Camera**Outline**

Lumenera's Lu170 and Lu175 series of megapixel cameras are designed to be used in a wide variety of industrial and scientific applications.

With 1280x1024 resolution and on-board processing these cameras deliver outstanding image quality and value for applications requiring high resolution and modest cost.

Uncompressed images in live streaming video and still image capture are provided across a USB 2.0 digital interface. No framegrabber is required. Advanced camera control is available through a complete Software Developer's Kit (SDK), with sample code available to quickly integrate camera functions into OEM applications.

Hardware and software based synchronization trigger is provided standard. Enclosed (Lu175), board-level (Lu170), color and monochrome variants available. Custom form factor (sizes) can also be provided.

All Lumenera products are supported by an experienced team of software developers and application engineers. We understand your imaging needs and are here to help you with your integration and development.

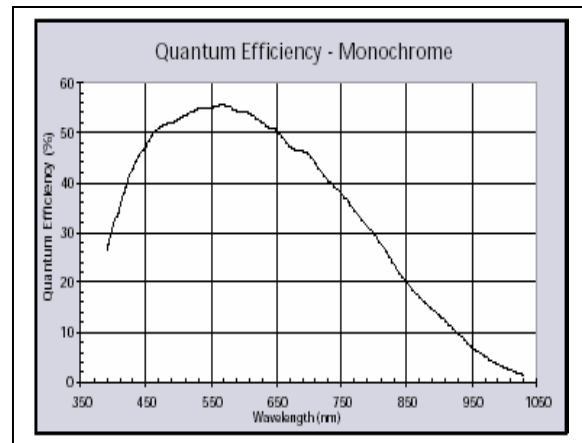
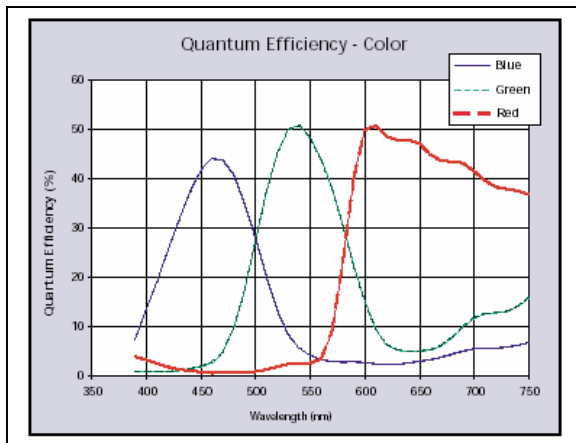
Performance Features

- Lower fixed pattern noise
- Color or monochrome, progressive scan, 1.3 megapixel image sensor
- High-speed USB 2.0 (480Mbits/sec)
- 30 fps at full 1280x1024 resolution
100 fps at 640x480 resolution
- Faster frame rates with reduced region of interest
- Auto white balance, auto exposure
- Snapshot mode for use with strobe
- GPIOs for control of peripherals and synchronization of lighting (4in/4out)
- FCC Class B, CE Ready
- RGB Bayer video output
- Select 8 or 10-bit pixel data
- Simplified cabling - video, power and full camera control over a single USB cable
- C-Mount provided
- DirectShow compatible
- USB cameras are software compatible with Windows™ 98 SE, Windows ME, Windows 2K, Windows XP, and Windows Vista operating systems
- Complete SDK available
- Full one (1) year warranty

Specifications

Lu170/Lu175

Image Sensor	1/2" format, color or mono, 6.6mm x 5.3mm array
Effective Pixels	1280 x 1024, 5.2µm square pixels
Frame Rate	30 fps at 1280x1024, 100fps at 640x480
Sensitivity	High
Dynamic Range	60dB
Auto Exposure	Automatic / Manual
White Balance	Automatic / Manual
Dimensions (W x H x D)	2.00 x 2.50 x 1.63 inches (board level) 2.25 x 3.85 x 1.56 inches (enclosed)
Mass	~150g / 300g
Power Requirement	USB bus power, or external 6VDC, 500mA
Power Consumption	~3.0 Watts
Operating Temperature	0°C to +50°C
Operating Humidity	5% - 95%, Non-condensing
Interface Connector	Standard USB
Lens Mount (Lens not included)	C-Mount (CS-Mount option)



Full customization available to meet your exact needs!

Available Options:

- Without Standard IR-Cut Filter
- Without Glass
- Without Mount
- Board Level
- Adjustable CS-Mount

Contact us for more specific details.

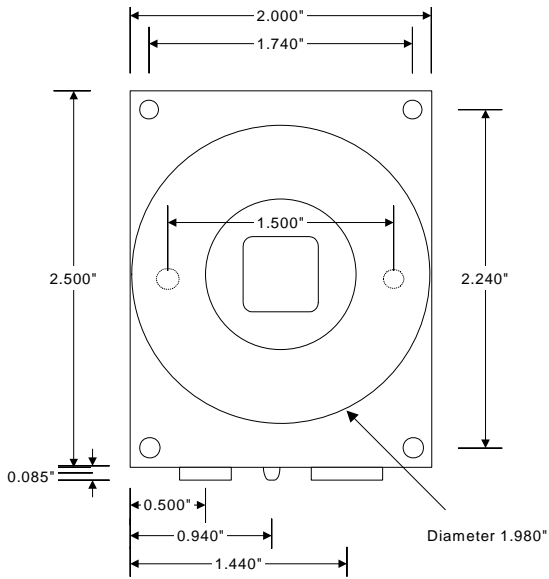
Ordering Information

- Lu170C - Color Camera Module
- Lu170M - Monochrome Camera Module

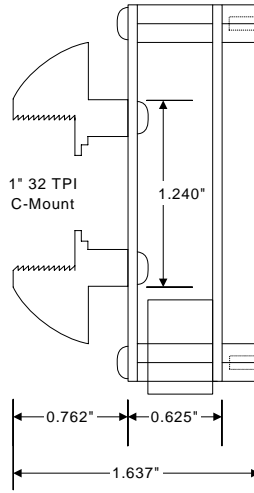
- Lu175C - Enclosed Color Camera
- Lu175M - Enclosed Monochrome Camera

- LuSDK - Software Developer's Kit

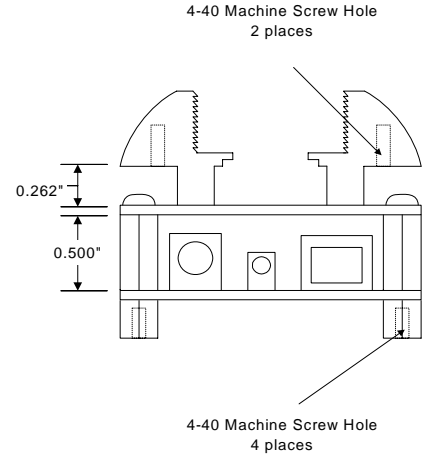
OEM Board-Level Camera



Front



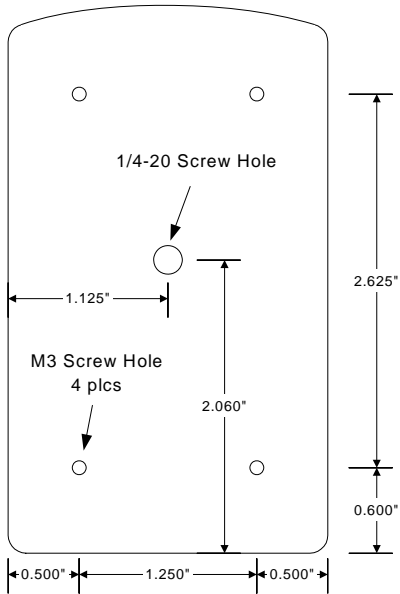
Side



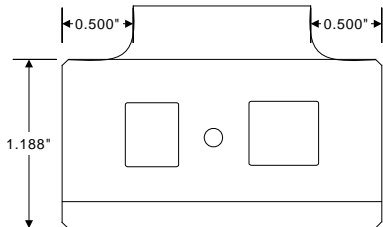
Bottom

Enclosed Camera

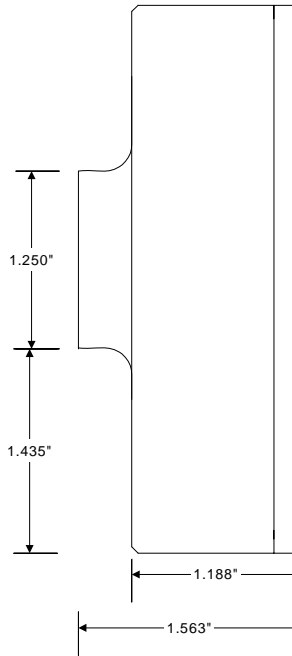
Back



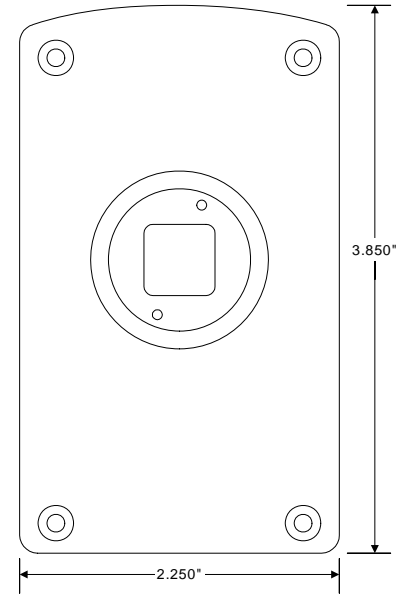
Bottom



Side



Front



* Anodized aluminum, std color - black