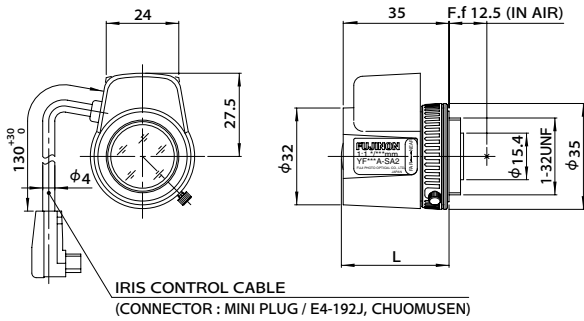


1/3" FIXED

Auto Iris Fixed Focal Length Lens (DC Type)

YF2.8A-SA2 / YF4A-SA2

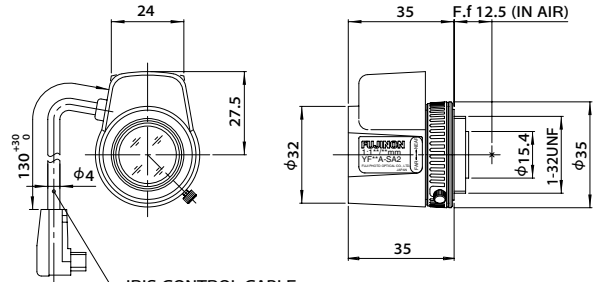


IRIS CONTROL CABLE
(CONNECTOR : MINI PLUG / E4-192J, CHUOMUSEN)

YF2.8A-SA2	L=35.6 mm
YF4A-SA2B	L=36 mm

Unit : mm

YF8A-SA2 / YF16A-SA2



IRIS CONTROL CABLE
(CONNECTOR : MINI PLUG / E4-192J, CHUOMUSEN)

Unit : mm

Model	YF2.8A-SA2	YF4A-SA2B	YF8A-SA2	YF16A-SA2
Focal Length	2.8mm	4mm	8mm	16mm
Iris Range	F1.3 ~ T90 (*1)	F1.2 ~ T360 (*2)	F1.3 ~ T90 (*1)	F1.4 ~ T90 (*1)
Operation	Iris	Auto (Not Incorporating Amplifier) (*3)		
	Focus	Manual		
Angle of View (H × V)	1/3"	96° 15' × 71° 51'	65° 21' × 49° 27'	33° 24' × 25° 22'
	1/4"	71° 51' × 53° 45'	49° 27' × 37° 15'	25° 22' × 19° 09'
Focusing Range	∞ ~ 0.1m (from Front of Lens)			∞ ~ 0.5m (from Front of Lens)
Object Dimensions at M.O.D. (H × V)	1/3"	241mm × 157mm	132mm × 99mm	71mm × 53mm
	1/4"	157mm × 110mm	99mm × 73mm	53mm × 40mm
Back Focal Distance	8.11mm (in air)	8.62mm (in air)	8.81mm (in air)	10.3mm (in air)
Filter Thread				
Mount	CS Mount			
Mass	Approx. 50g	Approx. 40g	Approx. 40g	Approx. 35g
Exit Pupil Position	166mm (from Image Plane)	727mm (from Image Plane)	-147mm (from Image Plane)	80mm (from Image Plane)
Coil Resistance	Drive Coil 200Ω Damping Coil 600Ω			
Current Consumption	22mA (Max.) at 4V DC			

(*1) Equivalent to F90
(*2) Equivalent to F360
(*3) When power is turned off, iris will automatically be closed.
【WIRING】

<Available Model>
Long Cable Type (ℓ =330mm)

- YF2.8A-SA2L
- YF4A-SA2LB
- YF8A-SA2L
- YF16A-SA2L

