



EureCard™ PICCOLO Jet-X™

PCI-X video capture and compression board

- *Four video color digitizers*
- *Four on-board JPEG encoders*
- *240 fps*
- *64-bit, 133 MHz PCI-X bus*
- *Quick switching between up to 16 cameras on 4 digitizers*
- *Expandable architecture:*
 - *3 Video Expansion Brackets for up to 16 camera inputs*
 - *1 Video Expansion Bracket 12 for 16 camera inputs*
 - *1 Video Expansion Bracket for 4 buffered video outputs*
 - *MIO, I/O module compatible*

Piccolo Jet-X is a new video capture board dedicated to **PC based multiple-channel DVR**. This **64-bit 133 MHz PCI-X bus** board captures **simultaneously four video streams** and **compresses them in a JPEG format in real time**. With up to three video expansion brackets, the Piccolo Jet-X also manages quick switching between **up to sixteen cameras**. It accepts standard composite color (PAL, NTSC) or monochrome (CCIR, EIA) video formats. The Piccolo series generates bitmaps in all popular color formats such as RGB, YUV, planar or packed. The Piccolo series video capture boards are designed to drastically simplify the design of video surveillance applications. **TTL I/O lines and watchdog** are provided for system integration and Piccolo Jet-X is compatible with the MIO module. The Euresys boards come with the MultiCam driver available under **Windows and Linux**.



www.euresys.com
info@euresys.com

© Copyright 2004 Euresys s.a. Belgium. Euresys® and EureCard® are registered trademarks of Euresys s.a. Belgium. Other product and company names listed are trademarks or trade names of their respective manufacturers. Euresys reserves the right to modify product specifications and price without previous notice.



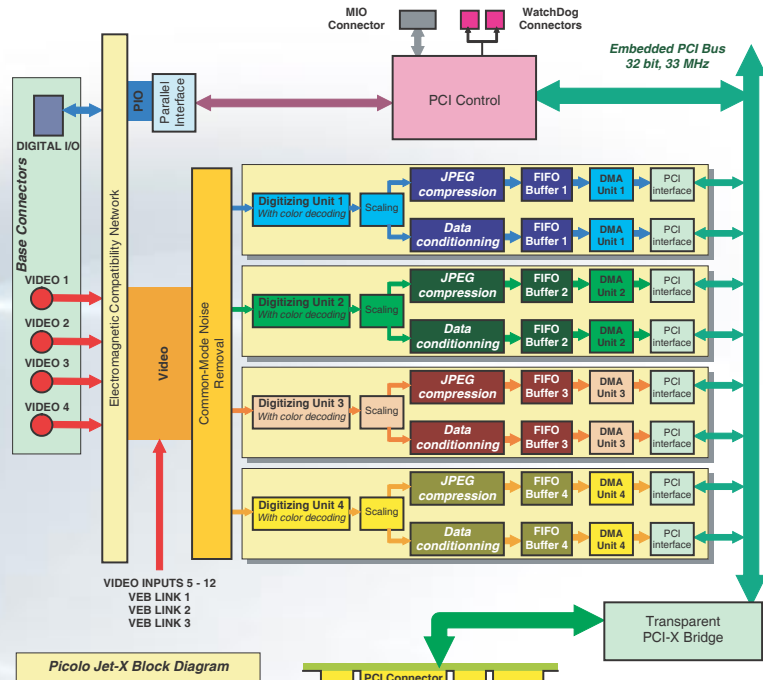
EURESYS™
Excellence in vision

Streaming and compression with four simultaneous video digitizers

Piccolo Jet-X is able to simultaneously digitize **four video signals**, to compress them in a **JPEG or MotionJPEG format** and to send the resulting digital data in real time into the PC memory. The Piccolo Jet-X allows sending to the PC the original image or the compressed one. The MultiCam driver controls the different compression parameters. This driver is delivered with Euresys video-capture boards.

Quick switching

Adding three Video Expansion Brackets, Piccolo Jet-X provides the four digitizers with sixteen inputs. This maximum configuration leads to a **16-camera system**. The **four digitizers** of the Piccolo Jet-X board are switching between these inputs at a very high rate.



64-bit, 133 MHz PCI-X bus for an impressive accuracy in the data transmission

The Piccolo Jet-X bus brings the capability of the PCI interface to a theoretical bandwidth greater than 1 GB/s. Connection to such a high capability bus **drastically reduces** the latencies on the bus and **the risk of fifo-overflow errors and data losses**.

In addition, it allows the parallel use of **many Piccolo Jet-X in the same PC**.

Ordering Information

PRODUCT NAME	PRODUCT DESCRIPTION	PART NUMBER
PCI capture boards		
EureCard PICOLO Jet-X	CCTV PCI-X capture & compression board with 4 digit.	1302
Video modules		
Video Expansion Bracket (cable included)	Four-way Piccolo Tetra Video Expansion Bracket	1203
Video Expansion Bracket 12 (cable included)	Twelve-way Piccolo Tetra Video Expansion Bracket	1204
I/O modules		
MIO Module (cable included)	Isolated input / output module	1202

America, Euresys Inc.
 500 Park Boulevard, suite 525, Itasca, Illinois 60143
 Toll free: 1-866-EURESYS - Phone: 630-250-2300 - Fax: 630-250-2301

Asia, Euresys Pte. Ltd.
 627A Aljunied Road, #08-09 BizTech Centre, Singapore 389842
 Phone: +65 6748 0085 - Fax: +65 6841 2137

Japan, Euresys s.a. Japan Representative Office
 AIOS Hiroo Building 8F, Hiroo 1-11-2, Shibuya-ku, Tokyo 150-0012
 Phone: +81 3 5447-1256 - Fax: +81 3 5447-0529

Europe, Euresys s.a., Corporate Headquarters
 14, Avenue du Pré-Ailly, B-4031 Angleur, Belgium
 Phone: +32 4 367 72 88 - Fax: +32 4 367 74 66



www.euresys.com info@euresys.com
 Your distributor