

T3Z2710CS

VARI FOCAL 3X 2.7~8mm F1.0

for 1/3"format cameras

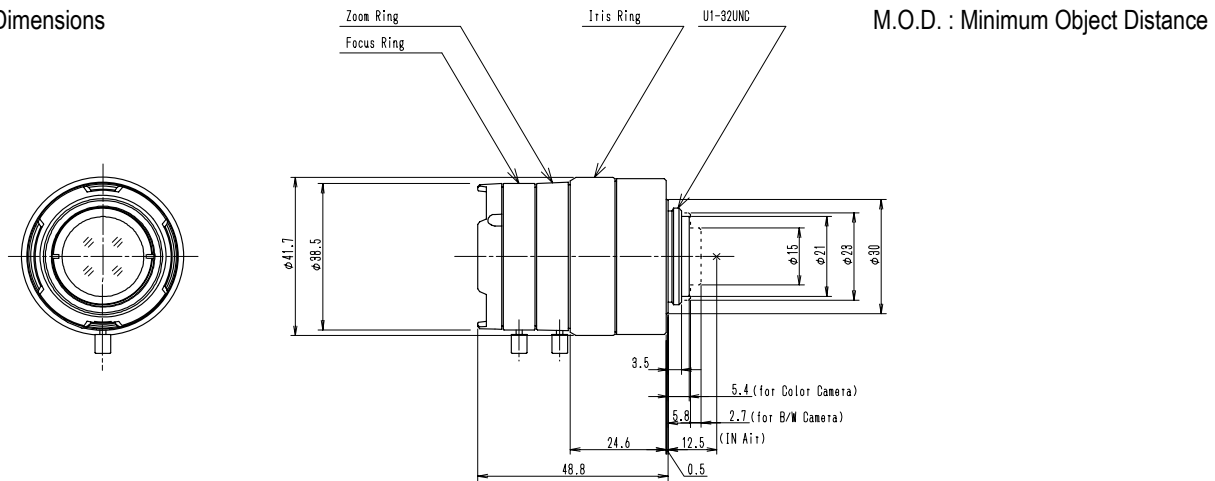
CS-Mount

Model No.	T3Z2710CS		Effective	Front	φ19.4mm
Focal Length	2.7 ~ 8 mm		Lens Aperture	Rear	φ 9.8mm
Max. Aperture Ratio	1 : 1.0		Back Focal Length	Tele	15.7mm
Max. Image Format	4.8 x 3.6mm (φ6mm)			Wide	8.0mm
Operation Range	Iris	F1.0 ~ C	Flange Back Length		12.5mm
	Focus	0.3m ~ Inf.	Mount		CS-Mount
	Zoom	2.7 ~ 8 mm	Filter Size		M37.5 P=0.5mm
Control	Iris	Manual	Dimensions		φ41.6 x 48.8mm
	Focus	Manual	Weight		g
	Zoom	Manual			
Object Dimension at M.O.D.	5 mm	71.5 × 45.0cm			
	50 mm	19.6 × 14.4cm			
Angle of View	D	128~45.2°			
	H	1/3"	100.0~36.2°		
	V	73.8~27.0°			
Operating Temperature	-20°C ~ +50°C				

1/3

CS

Dimensions



Z

SP