

TG3Z2710AFCS

VARI FOCAL 3X 2.7~8mm F1.0

for 1/3"format cameras

CS-Mount

with Focus, with Amplifier

Model No.	TG3Z2710AFCS		Effective	Front	φ19.4mm
Focal Length	2.7 ~ 8mm		Lens Aperture	Rear	φ 9.8mm
Max. Aperture Ratio	1 : 1.0		Back Focal Length	Tele	15.7mm
Max. Image Format	4.8 x 3.6mm (φ6mm)			Wide	8.0mm
Operation Range	Iris	F1.0 ~ 360	Flange Back Length		12.5mm
	Focus	0.3m ~ Inf.	Mount		CS-Mount
	Zoom	2.7 ~ 8mm	Filter Size		M37.5 P=0.5mm
Control	Iris	Auto Iris	Dimensions		φ38.5 x 47.5 x 48.8mm
	Focus	Manual	Weight		g
	Zoom	Manual			
Object Dimension at M.O.D.	2.7 mm	71.5 × 45.0cm			
	8 mm	19.6 × 14.4cm			
Angle of View	D	128~45.2°			
	H	100.0~36.2°			
	V	73.8~27.0°			
Supply Voltage	DC8.5 ~ 16V				
Current	Less than 40mA				
Response Time	Approx. 2 sec.				
Light Weighting Method	Adjustable between Average - Peak (to be set at Average at factory)				
Input Signal	Video Signal (V or VS)				
Iris Accuracy	± 15% at Video Signal Level				
Sensitivity Adjustment	0.5 ~ 1.0Vp-p (Video Signal)				
Input Impedance	High Impedance				
Operating Temperature	-20 ~ +50°C				

1/3

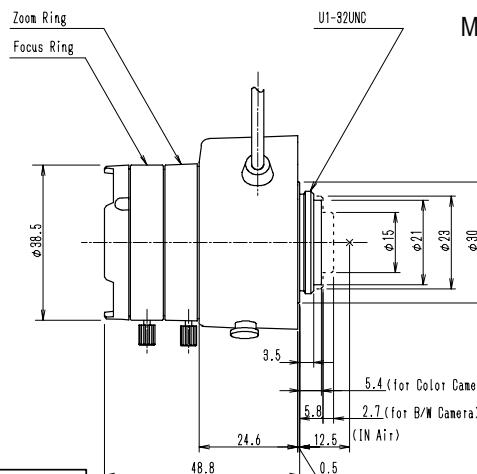
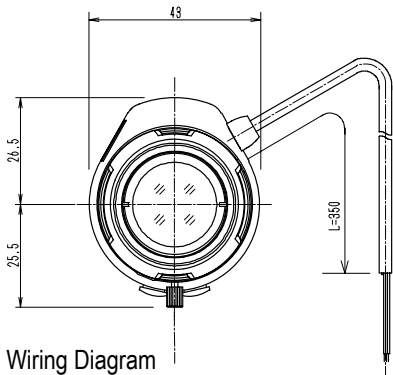
CS

AG

Z

SP

Dimensions



M.O.D. : Minimum Object Distance

Wiring Diagram



www.cbcamerica.com/cctv