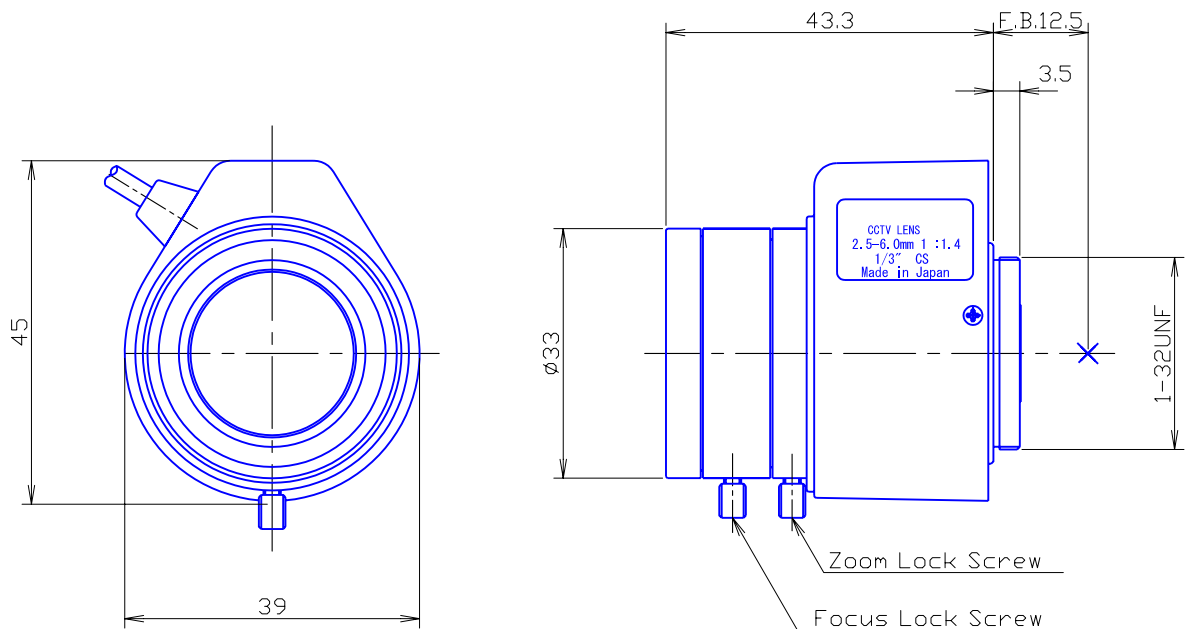


Type	AI VARI		Mount	CS		
Focal Length	2.5~6.0mm		Back Focus	6.24mm		
Fno.	F1.4		Mechanical Bf	12.5mm		
Designed Image Format	1/3"(4.8x3.6mm)		Exit Pupil	—		
Operation Range	Iris	F1.4—F360	Filter Size	—		
	Focus	0.3m ~ infinity	Aperture	Front	∅21.6mm	
	Zoom	2.5~6.0mm		Rear	∅8.7mm	
Control	Iris	DC Galvanometer	Dimension	39.0x45.0x43.3mm		
	Focus	Manual		Weight	51g	
	Zoom	Manual				
Object Size at MOD	Wide	—				
	Tele	—				
Field of View	D	132.0°~56.9°	1/4"	101.0°~43.6°		
	H	108.2°~45.7°		78.4°~34.7°		
	V	82.9°~34.3°		63.7°~26.6°		
Control	Iris		Focus		Zoom	
Driving Coil/Supply Volt.	190Ω		—		—	
Damping Coil/Current	1150Ω		—		—	
Response Time	—		—		—	
Potentiometer	—		—		—	
Light Measuring Method	—					
Input Signal	—					
Iris Accuracy	—					
Sensitivity Adjustment	—					
Operating Temperature	-10 ~ +50 Celsius					

1/3"
CS
CSD

DIMENSIONS



Wiring Diagram

1) 4 Pin Standard Connector for Auto Iris

Pin No.1	Damping (-)
2	Damping (+)
3	Driving (+)
4	Driving (-)

