



Innovative Photonic Solutions

Ringlights

Annular Illumination

Illumination Technologies provides top quality fiberoptic ringlights. Stainless steel sheath and ferrules are swaged to ensure rugged reliability. Superior output uniformity provides unrivaled machine vision performance.

KEY FEATURES

- Shadow Free Illumination
- High Intensity Output
- Even Illumination

APPLICATIONS

- Machine Vision
- Semiconductors
- Electronics
- Microscopes
- Surface Mount Components

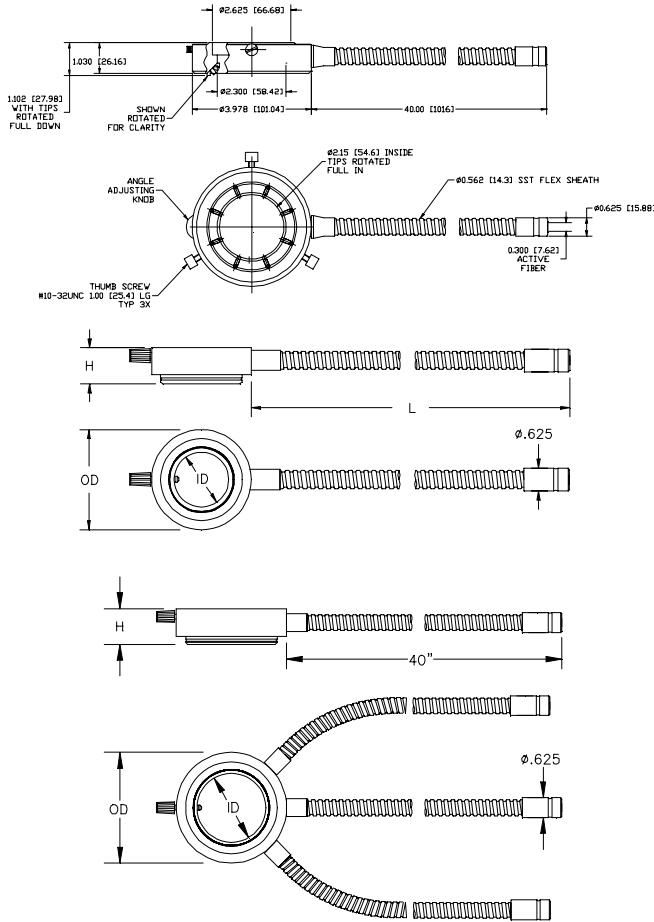


Lightguides

Spot Size

The spot size generated by a ringlight changes with the working distance as does the intensity. Below is a chart showing a typical example of that output for our 9021 60mm ringlight at full intensity using a 3900 lightsource with an EKE lamp.

Working Distance (mm)	Spot Size (mm)	Intensity (mW/cm ²)
20	53	43.7
30	47	33.2
40	42	31.6
50	38	29.9



Adjustable Ringlight P/N 9010B

Patented design rotates 8 points of light from 0 to 90 degrees providing lighting structures from brightfield to darkfield with a simple rotation of the thumbwheel. Zero to 12" working distance.

Annular Ringlights

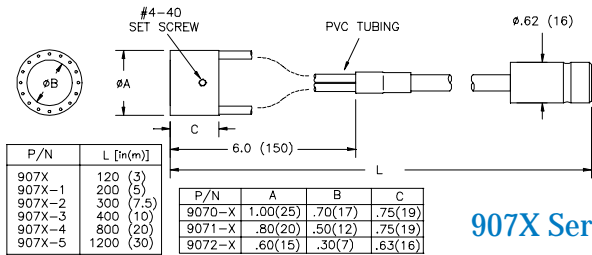
Full annular rings deliver shadow free illumination. Three standard sizes. Fixed working distances. Snap on Polarizer/Analyzer, Reflector and Darkfield attachments (see Accessories).

	ID	OD	H	L	WD
P/N 9021	2.36	3.50	1.13	40	4
P/N 9023	1.50	2.75	1.00	40	3
P/N 9025	1.18	2.00	0.95	36	2

Triple Ringlights

Full annular rings with 3 fiber optic inputs. Two standard sizes. Used in RGB color balance applications (Patent Pending). Improves intensity and increases life (up to 50 times) in white light applications. Snap on Polarizer/Analyzer, Reflector and Darkfield attachments (see Accessories).

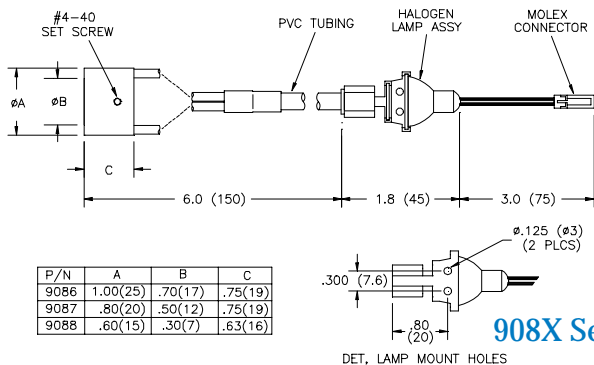
	ID	OD	H	WD
P/N 9021-TPL	2.36	3.75	1.13	4
P/N 9025-TPL	1.00	2.37	0.95	2



907X Series

Micro Ringlights

Low profile, low mass, 16 pt ringlights for the complete line of micro cameras. Two standard designs types. The 907X series is available in various lengths and are powered by our standard 150W lightsources (must use 9546 filter). The 908X series comes complete with an integral 5V, 5watt Tungsten Halogen lamp for use in robotic applications. Integral lamp has a 5000 hour lifetime. Spare lamps and an International DC Regulated supply available (see Accessories).



908X Series

Proudly Distributed By:



Illumination Technologies, Inc.

5 Adler Drive 1 East Syracuse 1 New York 13057 USA

TEL: 315-463-4673 1 FAX: 315-463-1401 1 Toll Free (North America): 800-738-4297

Web: <http://www.illuminationtech.com> 1 E-mail: info@illuminationtech.com