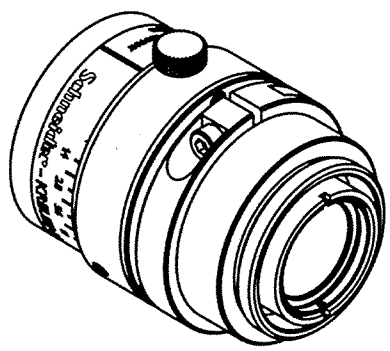
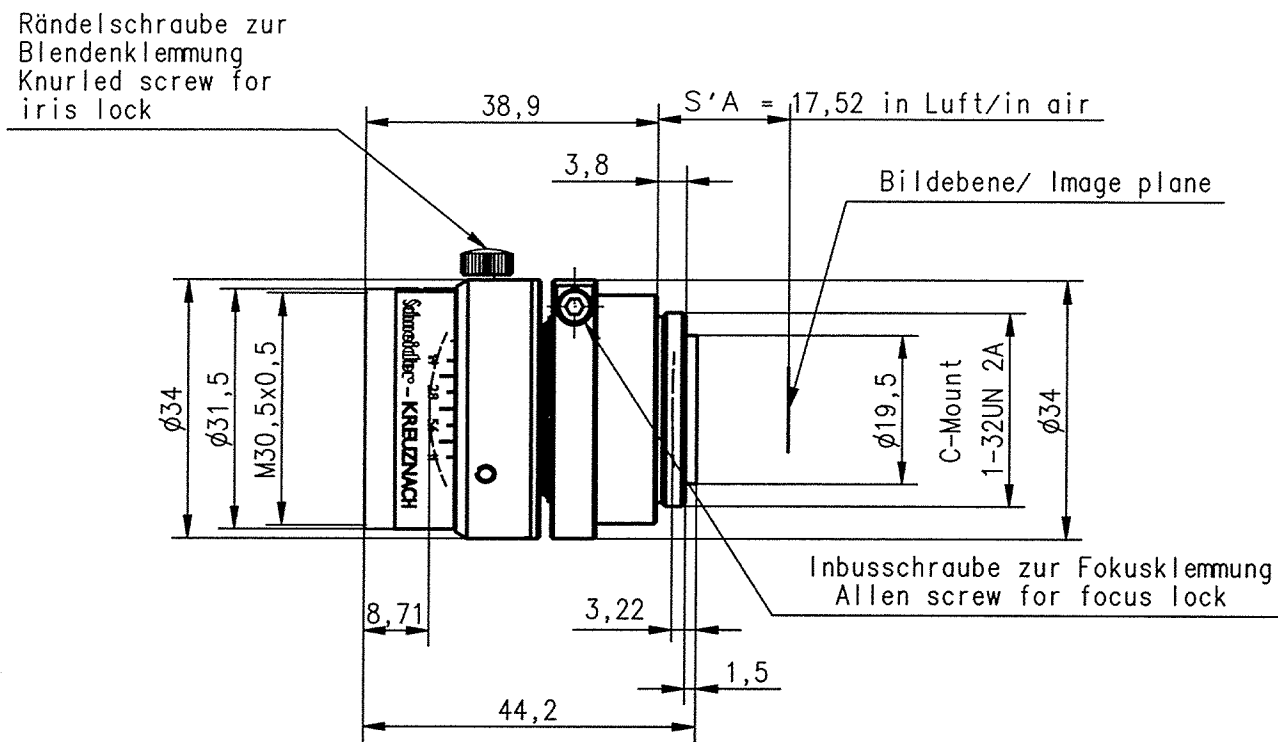


The reproduction, distribution and utilization of this document as well as the communication of its contents to others without explicit authorization is prohibited. Offenders will be held liable for the payment of damages. All rights reserved in the event of the grant of a patent, utility model or design.



**Optische Grunddaten (Optical Data)**

Linsen, Glieder (Lenses, Elements)	6/5	S'AP	-39,789	empf. Bildformat (Size of image, recommended)	6,6x8,8				
f'	22,913	β' Bereich (β' area)	-	Bildkreis (Image circle)	11				
s'F	15,462	β <sub>F</sub> (β' = 0)	2,411	Blendenbereich (Iris range)	1,4-11				
s'H	-7,450	00' (β' = 0)	∞	Filtergewinde (Filterthread)	M 30,5x0,5				
HH'	-7,674	s <sub>1</sub> (β' = 0)	∞	Gewicht (Weight)	115g				
S <sub>1</sub> S <sub>k</sub>	32,250	s' <sub>k</sub> (β' = 0)	15,462	Schutzkappe vorn (Front Lens Cap)	30373				
S EP	19,063			Schutzkappe hinten (Rear Lens Cap)	30422				
Blendenzahl (f stop)	1,4	2	2,8	4	5,6	8	11		
Blenden φ (Iris φ)	9,43	6,97	4,95	3,51	2,48	1,76	1,24		

Angaben ohne Einheiten in mm (All dimensions without unit in mm) Nur zur Information (Only for information)

Änderungsindex (Amendment index)	-	Datum (Date)	-	Kunde (Customer)	-
----------------------------------	---	--------------	---	------------------	---

Datum (Date)	Name	Objektiv (Lens)	Bestell-Nr. (Order-No.)
dwg. 12.11.08	Anderer	<b>APO-XENOPLAN 1.4/23-0903</b>	1012344
V checked 12.11.08	<i>[Signature]</i>	Jos. Schneider Optische Werke GmbH	
PP checked 13.11.08	<i>[Signature]</i>	Ringstr. 132 55543 Bad Kreuznach	
		Design intend mil. ind. photo proj.	Maßstab (Scale)
		<input type="checkbox"/> <input checked="" type="checkbox"/> <input type="checkbox"/> <input type="checkbox"/>	1:1
		Germany	