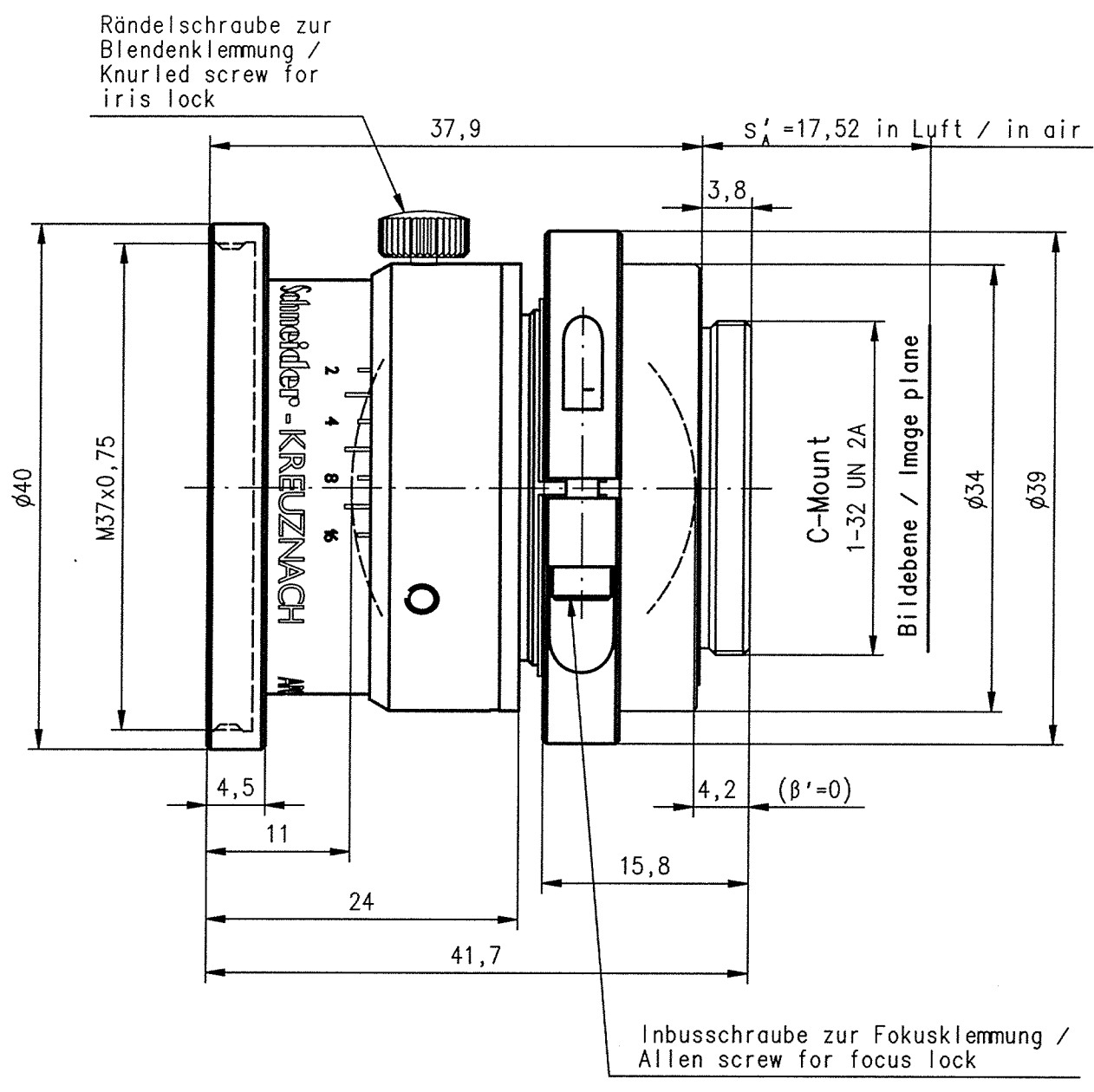


The reproduction, distribution and utilization of this document as well as the communication of its contents to others without explicit authorization is prohibited. Offenders will be held liable for the payment of damages. All rights reserved in the event of the grant of a patent, utility model or design.



Optische Grunddaten (Optical Data)

Linsen, Glieder (Lenses, Elements)	7 / 6	s'_{AP}	-29,769	empf. Bildformat (Size of image, recommended)	17 x 17
f'	24,508	β' Bereich / β' area	0 - (-0,09)	Bildkreis (Image circle)	24
s'_F	17,728	β'_p ($\beta' = -0,05$)	1,938	Blendenbereich (Iris range)	2-16
s'_H	-6,781	$00'$ ($\beta' = -0,05$)	534,674	Filtergewinde (Filterthread)	M 37x0,75
HH'	-5,730	s_i ($\beta' = -0,05$)	-489,301	Gewicht (Weight)	80 g
$S_i S_k$	26,42	s'_k ($\beta' = -0,05$)	18,953	Schutzkappe vorn (Front Lens Cap)	30370
s_{EP}	13,507			Schutzkappe hinten (Rear Lens Cap)	30422
Blendenzahl (f stop)	2,0 2,8 4,0 5,6 8 11 16				
Blenden ϕ (Iris ϕ)	7,8 5,8 4,1 2,9 2,1 1,5 1,0				

Angaben ohne Einheiten in mm (All dimensions without unit in mm) Nur zur Information (Only for information)

Änderungsindex (Amendment index)	-	Datum (Date)	-	Kunde (Customer)	-
Datum (Date)	26.06.08	Name	Objektiv (Lens)		Bestell-Nr. (Order-No.)
dwg.	26.06.08	Anderer	Apo-Xenoplan 2,0/24-2001		1006215
V checked	26.06.08	<i>[Signature]</i>	Jos. Schneider Optische Werke GmbH		
PP checked	26-06-2008	<i>[Signature]</i>	Ringstr. 132 55543 Bad Kreuznach		
		Design intend mil. ind. photo proj.	Germany		
		<input type="checkbox"/> <input checked="" type="checkbox"/> <input type="checkbox"/> <input type="checkbox"/>	Maßstab (Scale)	2:1	